



Heat Exchanger for Industry & HVAC/ Thiết bị Trao đổi nhiệt cho Công nghiệp & HVAC

Introducing TX4AN

Plate Heat Exchanger



Plate & Gasket made in Korea

■ Design Principle



TX4AN plate can handle multiple responsibilities up to 100m³/h in a single pass, meeting several application requirements.

The hot side medium transmits thermal energy to the cold side medium through plates between channels, using countercurrent flow.

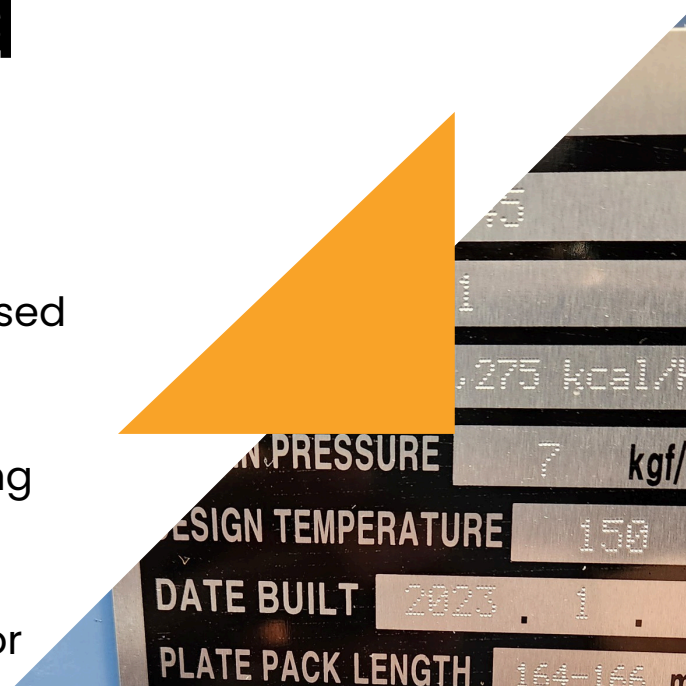
To ensure maximum heat exchange efficiency, the mediums do not mix. For the one-pass solution design, all connections are on the fixed frame side, making plate heat exchanger installation and disassembly easy.

There is no need to remove pipes for cleaning and maintenance.

■ Recommended Applications

The TX4AN plate heat exchangers are designed for high pressure. They can be used to heat and cool a variety of applications, including steam condensation, industrial circulating water cooling, as well as heating and cooling of other clear media.

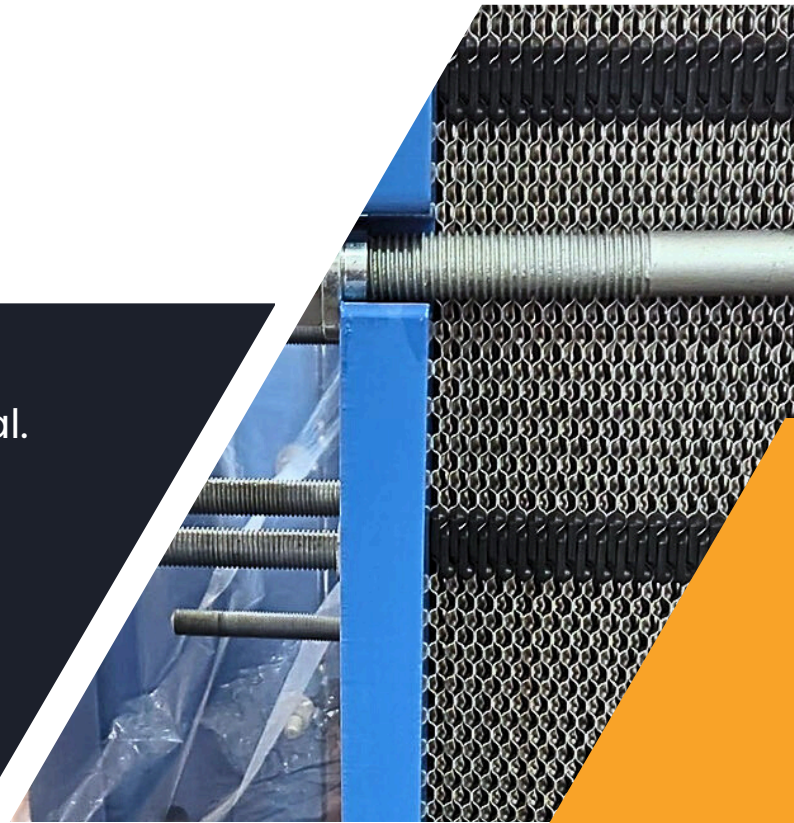
The TX4AN plate heat exchanger's heat transfer area can be adjusted by adding or subtracting plate numbers.



■ Flow Plate

The plate design consists of two corrugated forms: horizontal and vertical. Plates are suitable for various operating environments and pressure drop requirements.

The corrugated "herringbone" pattern creates more contact points between plates, resulting in more uniform pressure and turbulent flow across the effective area.



■ Data Required for Correct Quotation

01

Types of Media

02

Working Pressure

03

Pressure Loss

04

Thermodynamic properties

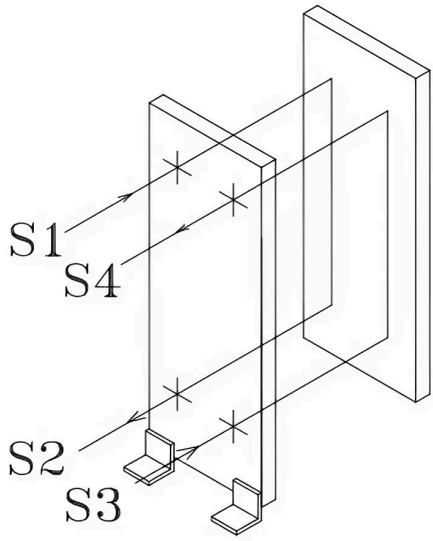
05

Temperatures

06

Flow Rates

Connection Details

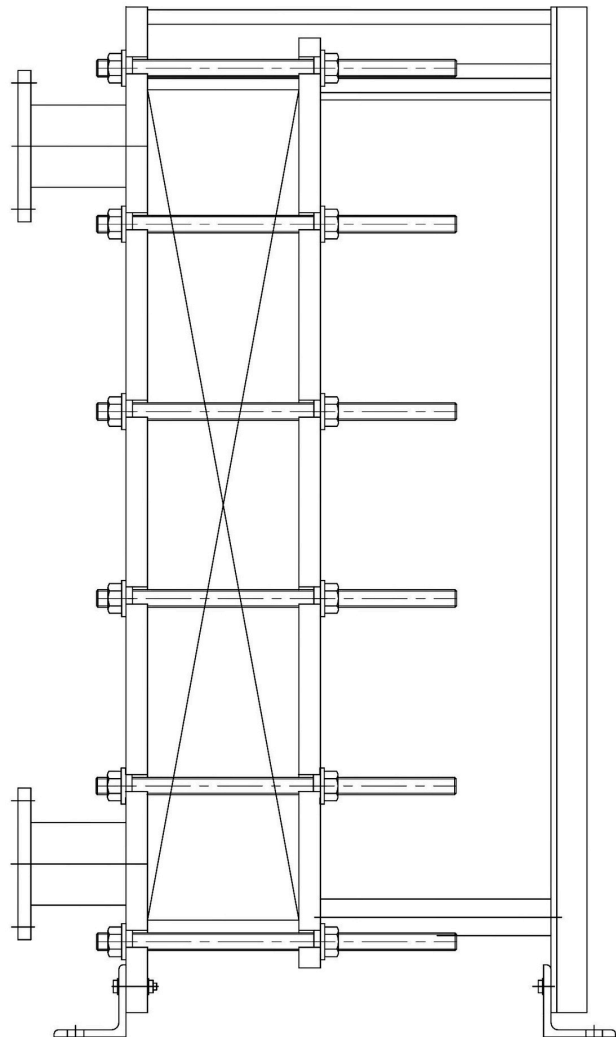
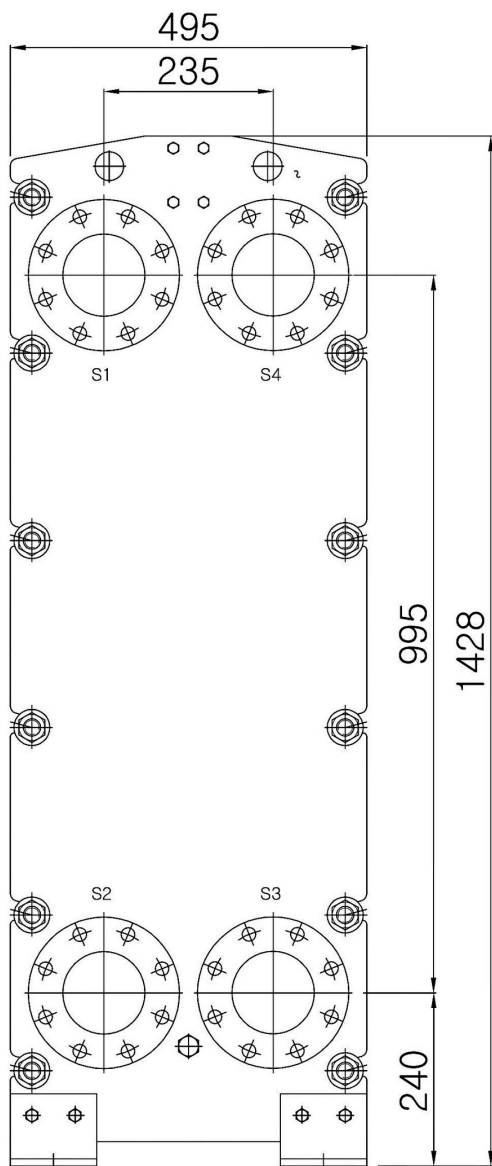


Length(B): **780~1780 mm**

Max Design Pressure: **16 kg/cm²**

Max Design Temperature: **180°C**

Standard Nozzle Size: **4" (100A)**



Location	Service	Size	Type	Rating	Wet Part Material
S1	Media 1 Inlet	100A	Flange, soff	KS 10K/ 20 K	STS304/ Rubber
S2	Media 1 Outlet	100A	Flange, soff	KS 10K/ 20 K	STS304/ Rubber
S3	Media 2 Inlet	100A	Flange, soff	KS 10K/ 20 K	STS304/ Rubber
S4	Media 2 Outlet	100A	Flange, soff	KS 10K/ 20 K	STS304/ Rubber

Plate	Material	Applicable Mediums	Thickness
	304SS	Pure water/ Ethanol	0.5/ 0.6
	316SS	Water/ Ethanol/ Carbonic acid/ 30% Sulphuric acid/ Food & Beverage	0.4/ 0.5/ 0.6
	254SMO	Inorganic acid/ Saline	0.6
	Titanium	Salt water/ Low chloride	0.5/ 0.6
	Hastelloy C-276	Organic acid / Sulfuric acid / Hydrochloric acid (< 40%) / Phosphoric acid (< 50%) / Chloride / Fluoride	0.6
	Nickle 200	High temperature 50~70% Alkali	0.6

Gasket	Material	Applicable Mediums	Temperature / °C
	EPDM Ethylene propylene diene monomer	Water/ Steam/ Low acid	-20 : 135
	NBR Nitrile rubber	Water/ Edible oil/ Mineral oil/ Ethylene glycol	-10 : 90
	FPM/Viton Fluoro rubber	High temperature mineral oil/ High concentration inorganic acid (oxidizing acid, etc.) / Hot water and steam	-20 : 180
	Other	Other	-